

Glazed roof system SFB 5050 narrow profiles for safe roofs

With our glazed roof we give the architects/designers free space for their own ideas and solutions as regards the form of a glazed roof. The glazed roofs system offers virtually any form of roof. As regards the static properties, glazed roofs can have large spans. For comfort and smoke vents narrow, stable frame and sash profiles are available. The profiles have a longitudinal thermal break, which provides good insulation and support for the glazing beads. The roof can be also uninsulated with a single glass rebate. Framework profiles and vertical dividing profiles in SFB 5050 are 50 mm wide. Various depths of the horizontal, vertical and

dividing profiles are available. External glazing beads are 7 mm high in order to ensure stability and good flow of water. Glazing beads for SFB 5050 can be complemented with bevelled covering profiles. The glass rebate provides space for double glazing units. SFB 5050 can be also used for facades. The glazed roof system profiles can be anodised, powder coated or coated using the Decoral method with various colours and types of surface finish on the inside and on the outside.

Surface finish: see chapter M.

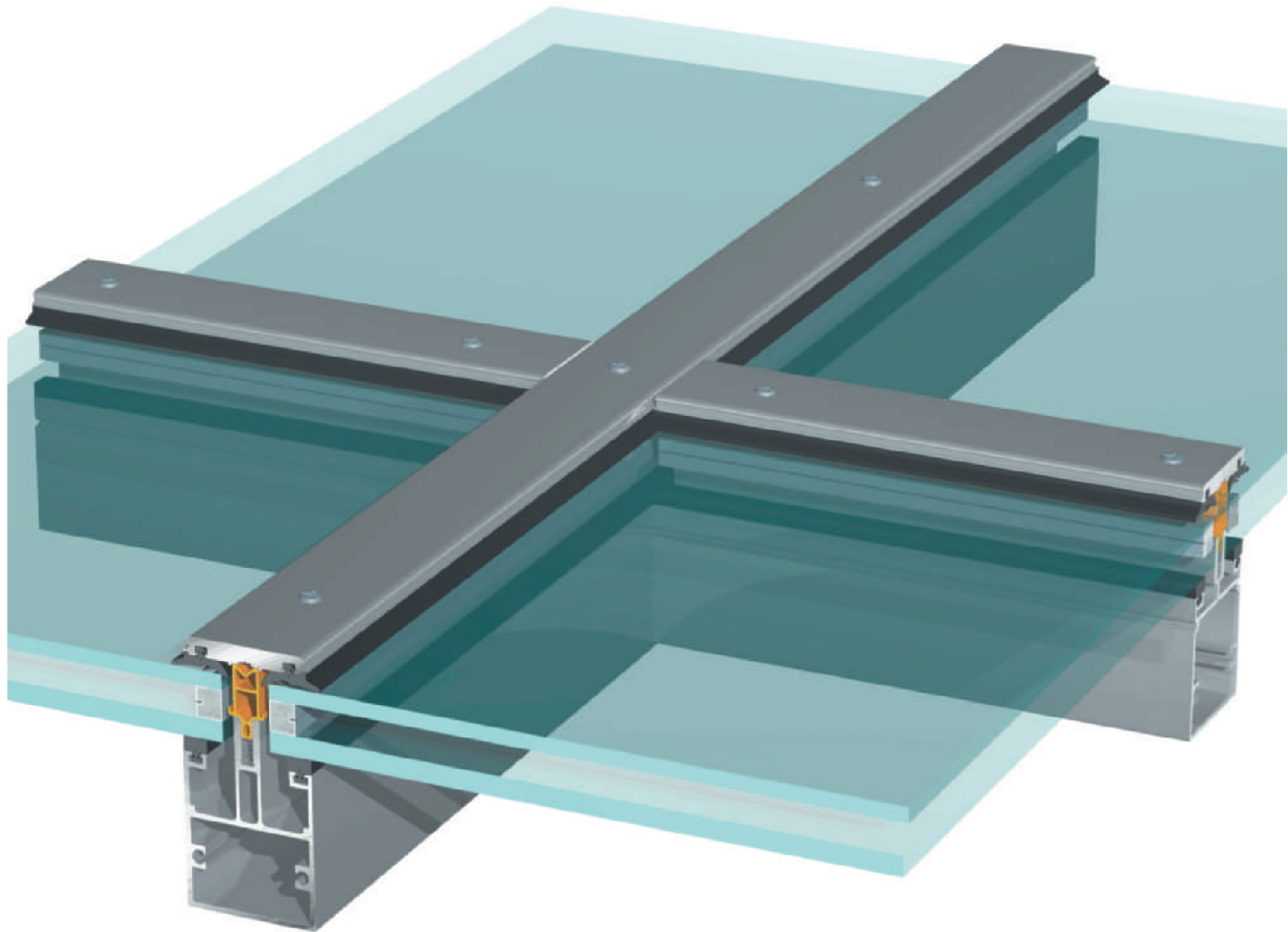


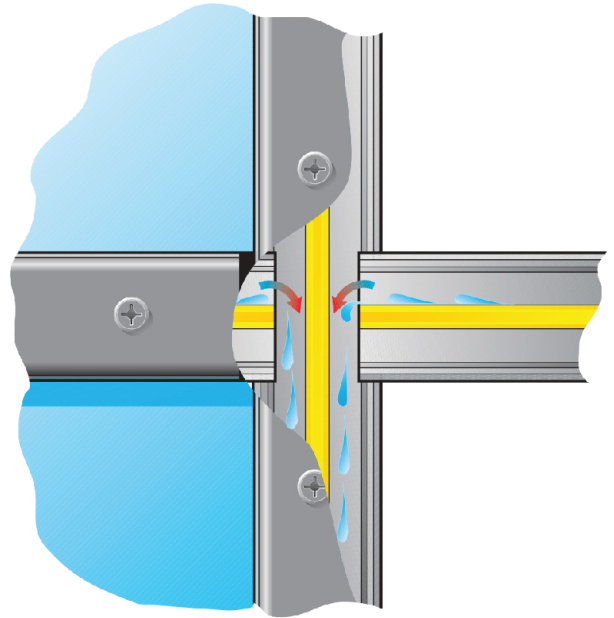
Illustration: SFB 5050

Glazed roof system SFB 5050 draining channels and good flow of water

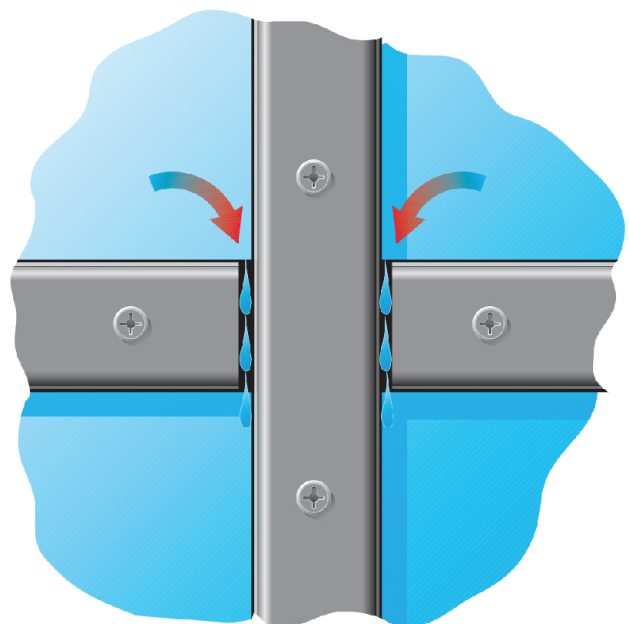
SFB 5050 has a two-stage pressure equalising seal. The outer seal is water-repellent, the ventilation and draining channels ensure pressure equalising function and the inner seal is air and vapourtight. The inner seal takes up the pressure difference between the outside and the inside.

The horizontal glazing beads on the outside of the glazed roof are low so that water and snow can flow or glide off the roof. If horizontal covering profiles are used, they should be bevelled so that water and snow can easily flow or glide off the roof.

Draining channels provide reliable drainage and ventilation of the glass rebate



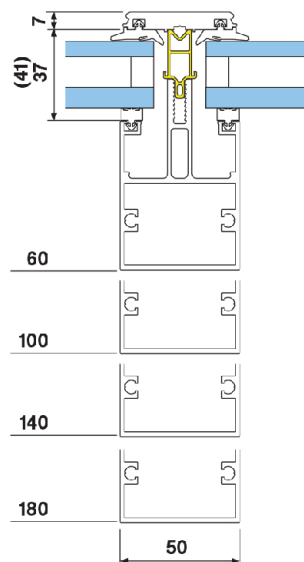
Good flow of water on the outside of the glazed roof



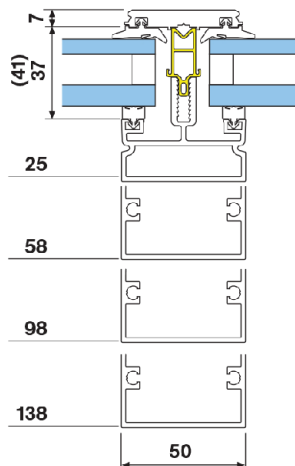
Principle details

SFB 5050

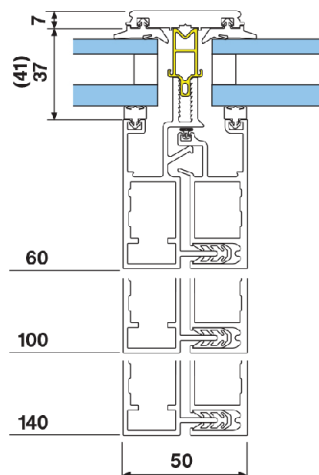
Range of profiles SFB 5050



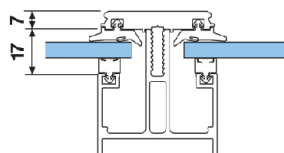
Framework profile, vertical, for double glazing units



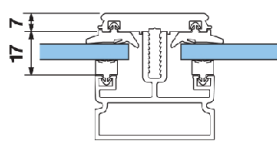
Framework profile, horizontal, for double glazing units



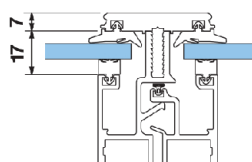
Dividing profile, vertical, for double glazing units



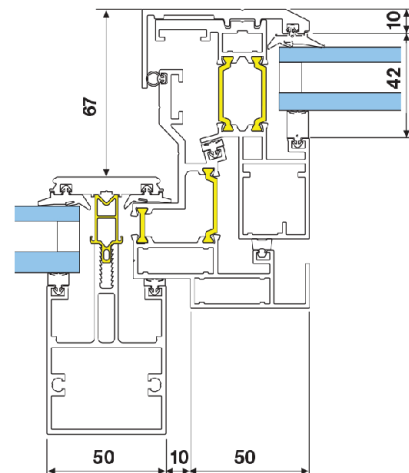
Framework profile, vertical, for single glass



Framework profile, horizontal, for single glass

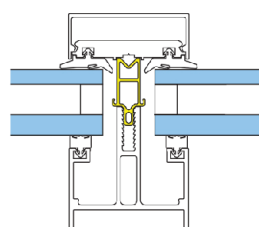


Dividing profile, vertical, for single glass

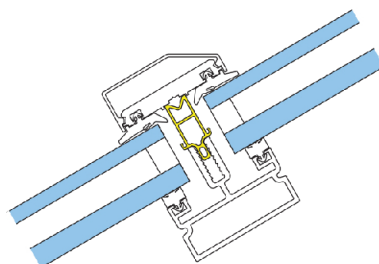


Fire and ventilation shutter

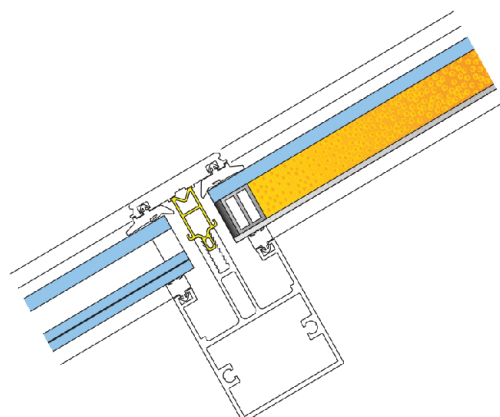
The smoke and ventilation shutter is easy to install in the glazed roof. The installation takes place in connection with glazing. The form of the shutter suits the glass rebate. In this way it is easy to change places with a glass or to add more shutters.



Alternative with vertical covering profile

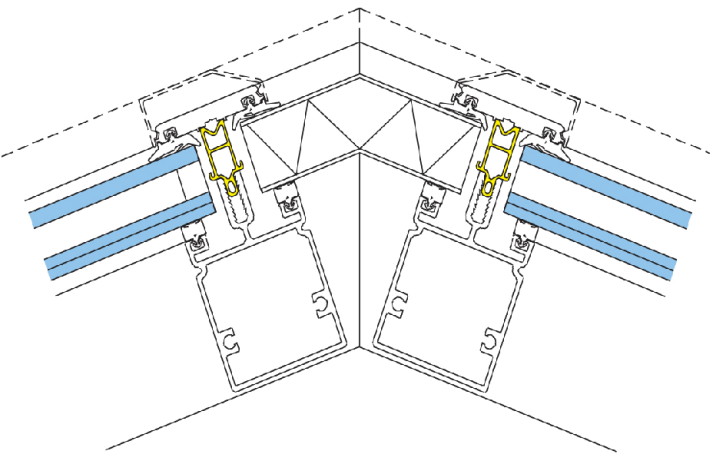


Alternative with horizontal covering profiles with 45° or 60° bevelling

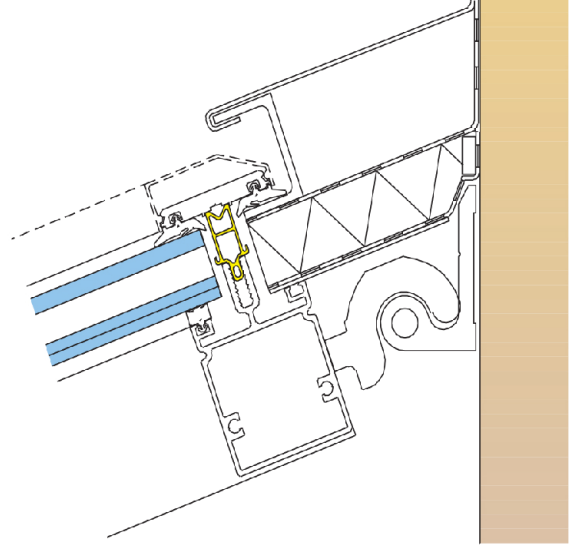


Combination with VakuPaneel infill panel

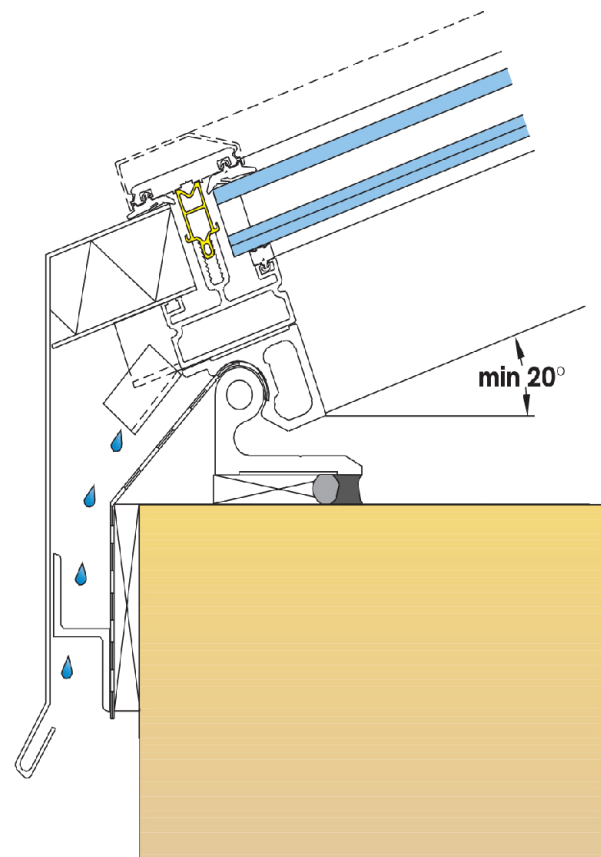
Principle solutions for SFB 5050 connections / transitions



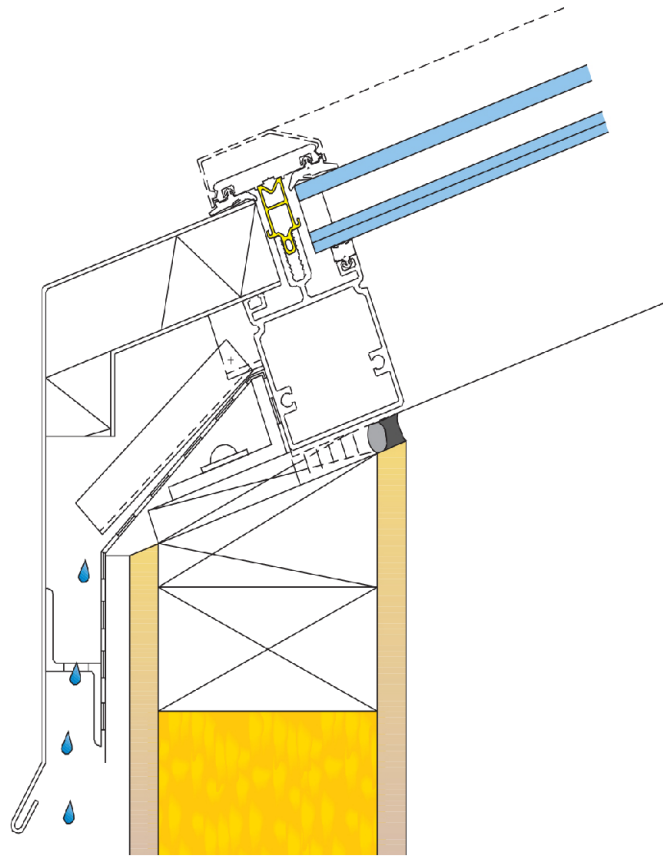
Ridge connection



Glazed roof connection against the wall at the top edge



Glazed roof connection at the bottom edge

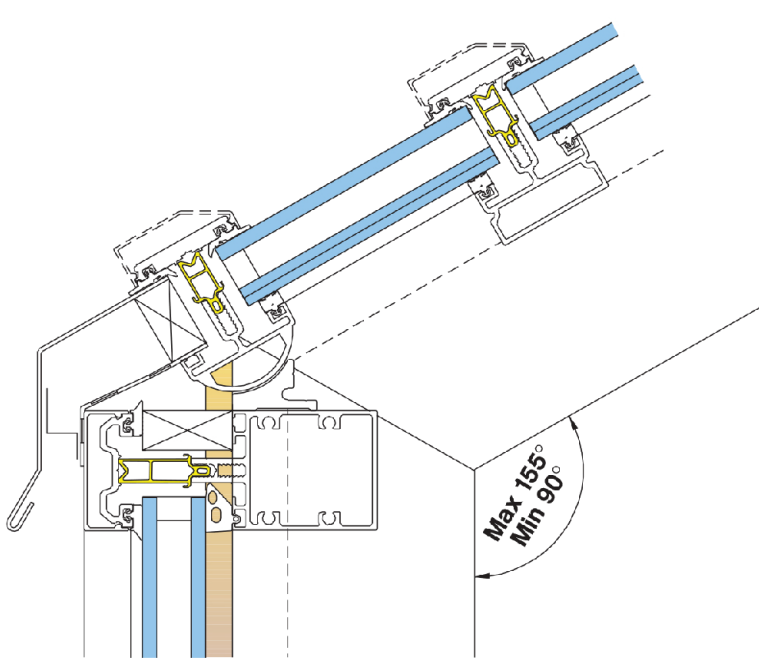


Glazed roof connection against the rim at the bottom edge

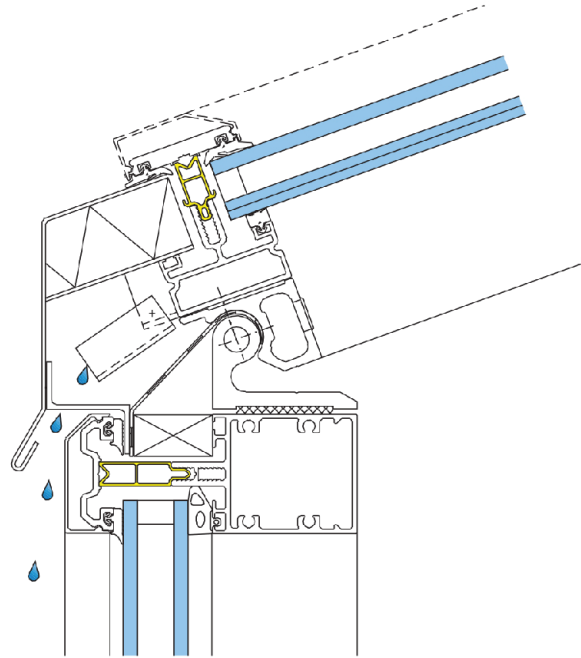
Principle details

SFB 5050

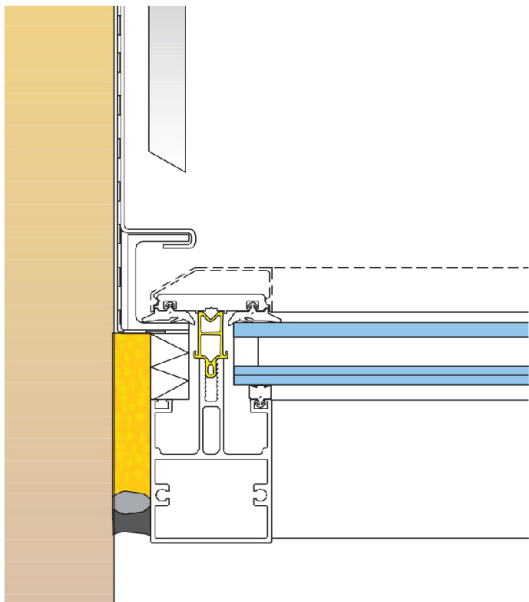
Principle solutions for SFB 5050 connections / transitions



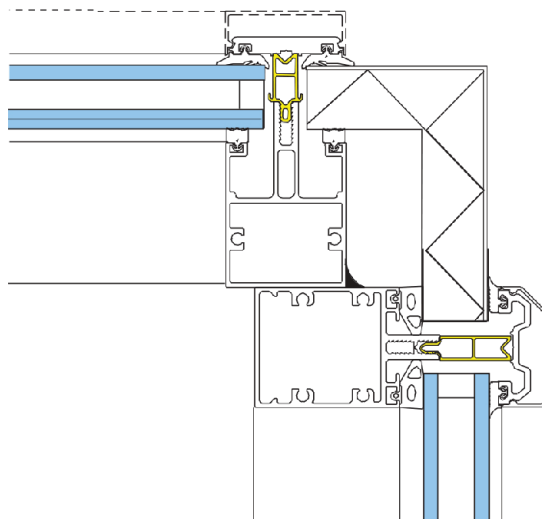
Glazed roof transition to facade (SFB 5050 + 4150)



SFB 5050 glazed roof transition to SFB 4150 facade



Glazed roof side connection against the wall



Glazed roof side connection with facade